

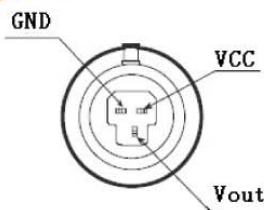
# BCM

## Pressure Transducers for Automotive Industry

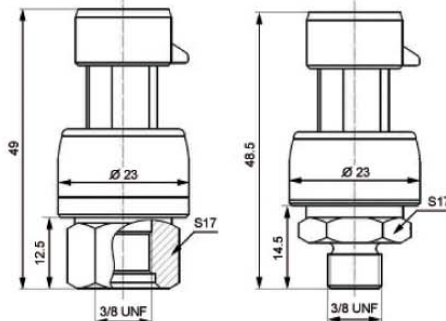


105S

- Medium: non-corrosive and non-conductive gases or liquids
- Pressure range: 0~1.6 barG, ..., 0~100 barG (gauge pressure)
- O/P: 0.5~4.5V @ 5V, 0.5~2.8V @ 3V, or 0~5V, 0~10V @ 9, ..., 30V
- Accuracy:  $\pm 1\%FS$  (-20 ~ +80 °C),  $\pm 2\%FS$  (-40 ~ +125 °C)
- Operating Temp: -40 ~ +125 °C, or -40 ~ +145 °C
- Electric Interface: 3-pin connector (Packard 12065287)
- Mechanic Interface: 3/8 UNF, NPT1/4, M12x1.5
- Housing protection: IP65
- Overload pressure: 200%FS
- Long-term stability: 0.25%FS



3-pin connector (Packard 12065287)



**SENSOR**

**BCM SENSOR TECHNOLOGIES bvba**

Industriepark, Brechtsebaan 2  
B-2900 Schoten - Antwerpen  
BELGIUM

Tel.: +32.3.238 64 69

Fax: +32.3.238 41 71

email: [sales@bcmsensor.com](mailto:sales@bcmsensor.com)

website: [www.BCMSENSOR.com](http://www.BCMSENSOR.com)