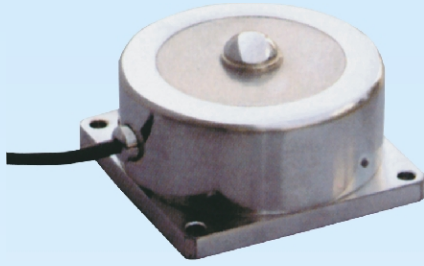
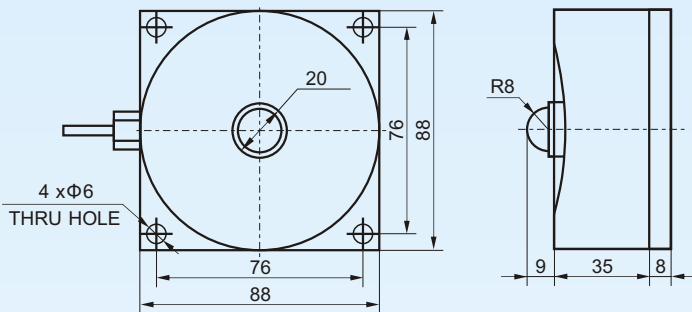


Model 1316/1396 Pancake Load Cells

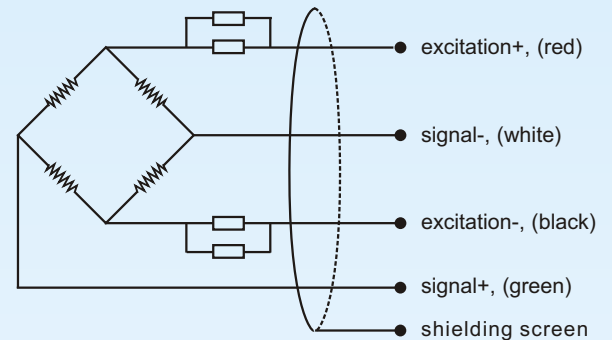


type: compression load cell
material: alloy steel (1316); stainless steel (1396)
surface: nickel plated treatment (1316 only)
protection: IP 66
application: truck scales, vehicle scales
 and batching plant scales

Dimensions:



Electrical connection:



Specifications:

capacity	t	0.3, 0.5, 0.75, 1, 2, 3	
safe overload	%FS	150	
ultimate overload	%FS	200	
output sensitivity	mV/V	2.0 ± 0.1	
combined error	%FSO	± 0.1	± 0.5
non-linearity	%FSO	± 0.1	± 0.5
hysteresis	%FSO	± 0.1	± 0.3
repeatability	%FSO	± 0.1	± 0.1
creep	%FSO/30 min.	± 0.1	± 0.3
zero unbalance	%FSO	± 2	
excitation voltage	Vdc	10	
maximum excitation	Vdc	12	
input resistance	Ω	2000 ± 200 (standard), 700 ± 80	
output resistance	Ω	2000 ± 50 (standard), 700 ± 20	
insulation resistance	MΩ	≥ 5000 @ 50 Vdc	
operating temperature range	°C	- 10 ~ + 50	
compensated temperature range	°C	- 20 ~ + 60	
temperature coefficient of SPAN	%FSO/°C	± 0.005	
temperature coefficient of ZERO	%FSO/°C	± 0.005	
electrical interface	cable	4-core shielded PVC cable; dia.: Φ 3.8 mm; cable length: 3 m	

The listed specifications are subject to change without prior notice.

How to order: model-capacity-output-accuracy-bridge resistance-cable specifications-customized requests (if any)

ordering code example: 1316-2t-2mV/V-0.1%fso-2000Ohm-cable (Φ3.8mm, 4-core shielded PVC cable, 3m)



BCM SENSOR TECHNOLOGIES BVBA

ISO9001 Certified Company