

Model LV35 Anticorrosive Submersible Liquid Level Transmitters



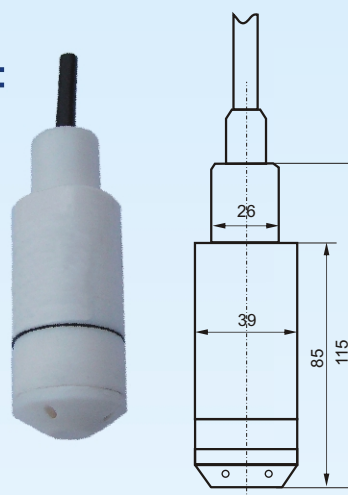
Based on silicon piezoresistive technology, model LV35 submersible Liquid level transmitter is designed for use in applications where the pressure is created by corrosive pressure media. The pressure diaphragm is made from tantalum and the housing is made from PVDF. LV35 level transmitters are designed for gauge pressure measurements.

LV35 level transmitters are made of a Wheatstone bridge circuit. Various output signals, including millivolts signal (80 mV@1 mA) and amplified signals (4~20 mA, 0~5 V or 0~10 V), are available. The measuring accuracy is up to 0.25 %fso. These transmitters possess low temperature coefficients of 0.02 %fso/°C for both Zero and Span within the compensated temperature range (0~50 °C).

Features:

- for alkali corrosive medium
- wide measuring ranges: 0~1, ..., 0~10 mH₂O
- various output signals:
 - transducers: full scale output 80 mV@1mA
 - transmitters: 4~20 mA, 0~5V or 0~10 V
- measuring accuracy: 0.25 %fso (standard), 0.5 %fso
- materials: tantalum (pressure membrane); PVDF (housing)
- housing environment protection: IP 68

Dimensions:



Specifications:

measuring media		liquids which are compatible with PVDF	
measuring ranges	mH ₂ O	0~1, 0~2, 0~3, 0~5, 0~10	
overload pressure	%FS	150	
output signal	transducers	mV	80 (full scale output @ 1 mA)
	transmitters	mA or Vdc	4~20 mA or 0~10 V
power supply	transducers	mA	1 (recommended), 0.5, ..., 2
	transmitters	Vdc	24 (recommended), 18, ..., 36
accuracy	%FSO	± 0.25 (standard), ± 0.5	
long-term stability	%FSO/year	< ± 0.5	
response time	ms	<1 (10% ~ 90% of leading edge)	
input resistance	transducers	Ω	2000~8000
output resistance	transducers	Ω	3500~6000
load resistance	transmitters	Ω	250 ~ 1150
insulation resistance	MΩ	> 500 @ 100 Vdc (transducer only)	
storage temperature range	°C	-40 ~ +100	
operating temperature range	°C	0 ~ +80	
compensated temperature range	°C	0 ~ +50	
temperature coefficient of SPAN	%FSO/°C	± 0.02	
temperature coefficient of ZERO	%FSO/°C	± 0.02	
process connection		submersible in liquid	
electrical connection		4-core, Ø7.6 mm shielded cable with vent hose which is mechanically strong enough for deep submersible liquid level measurements	
pressure membrane material		tantalum	
housing material		PVDF	
environment protection	IP rating	IP 68	
weight	gram	200 (probe head) + the weight of cable	

The listed specifications and dimensions are subject to change without prior notice.

How to order: model - range - output - accuracy - cable length - customer specific requests

ordering code example: LV35 - 0~5 mH₂O - 4/20 mA - 0.25%fso - 5 m



ISO9001 Certified Company